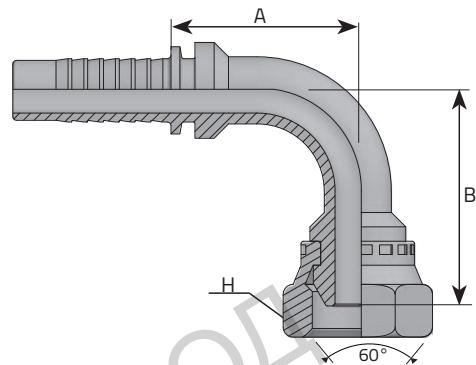




BSPP FEMALE - 60° CONE - 90° ELBOW (2)

FEMMINA 90° BSPP SV 60°
 FEMELLE 90° BSPP CÔNE 60°
 DKR 90° BOGEN 60° KONUS (BSPP-GEWINDE)
 HEMBRA GIRATORIA A 90° BSPP - CONO 60°



Code	Tube		Thread			Dimensions			Pressure	
	D.N.	Hose	Diam	T	t/1"	H	B	A	Bar	Psi
	Inch	mm	Inch		mm	mm	mm			
F90G1012	-10	5/8"	16	3/4"	14	32	56	49	350	5076
F90G1208	-12	3/4"	19	1/2"	14	27	56	53.5	350	5076
F90G1210	-12	3/4"	19	5/8"	14	28	56	53.5	350	5076
F90G1212	-12	3/4"	19	3/4"	14	32	59	53.5	350	5076
F90G1216	-12	3/4"	19	1"	11	38	65	53.5	350	5076
F90G1612	-16	1"	25.4	3/4"	14	32	72	68.5	280	4061
F90G1616	-16	1"	25.4	1"	11	38	72	73	280	4061
F90G1620	-16	1"	25.4	1.1/4"	11	50	80	73	280	4061
F90G2020	-20	1.1/4"	31.8	1.1/4"	11	50	93	89	210	3046
F90G2024	-20	1.1/4"	31.8	1.1/2"	11	55	98.5	89	210	3046
F90G2424	-24	1.1/2"	38.1	1.1/2"	11	55	114	101	185	2683